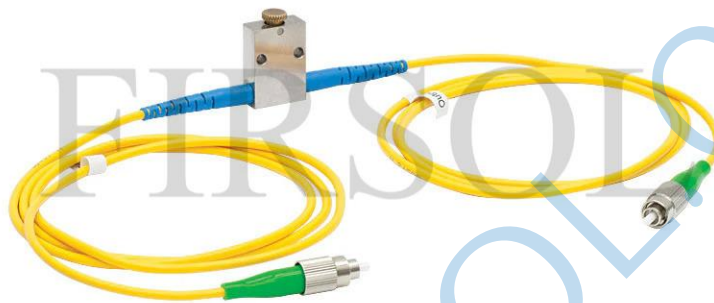


Single Mode In-Line Manual Variable Optical Attenuator



Description

In-Line Manual Variable Optical Attenuator (VOA) is a fiber-optic device used to precisely control and adjust the optical power level in a communication or testing system. Unlike fixed attenuators, a VOA allows continuous or stepwise tuning of attenuation, enabling operators to balance signal strength, protect sensitive receivers, simulate transmission loss, or optimize system performance. It is widely used in optical communication networks, EDFA systems, DWDM links, laboratory testing, and optical sensing applications where accurate and flexible power management is required.

Features

- Wide Wavelength Operating Range
- Compact Size
- High Stability
- High Reliability

Applications

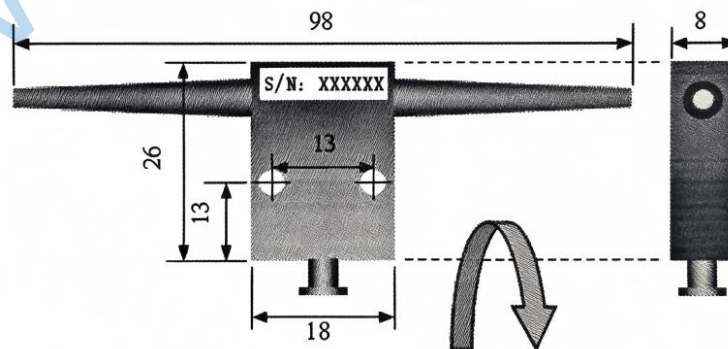
- Fiber Laser
- Fiber Optic Amplifier
- Fiber Optic Sensing
- Fiber Optic Communication

Specifications

Parameter	Unit	Value					
Center Wavelength	nm	532	630/670	780/850	980/1030/1064	1310/1480/1550	1950/2000/2050
Operating Wavelength Range	nm	±20		±50			
Insertion Loss (Max.)	dB	1.5		0.6	0.5		0.8
Attenuation Range	dB	1.5 - 40		0.6 - 60	0.5 - 60		0.8 - 60
Polarization Dependent Loss	dB	≤0.1					
Return Loss (Min.)	dB	50					
Max Optical Power (CW)	mW	100		300	500		
Fiber Type	-	460-HP	630-HP	780-HP	Hi1060	SMF-28e	SM1950
Tensile Load (Max.)	N	5					
Package Dimensions	mm	26 x 18 x 8					
Operating Temperature	°C	-5 to +70					
Storage Temperature	°C	-40 to +85					

Notes: Tested at 25 °C. Specifications exclude connectors. Adding connectors may cause wavelength-dependent variation in insertion loss. Return loss will decrease by approximately 5 dB. Please contact us for detailed data.

Product Dimensions



Ordering Information

<input type="checkbox"/> nm	<input type="checkbox"/> mW	<input type="checkbox"/>	<input type="checkbox"/> m	<input type="checkbox"/> μm/mm	<input type="checkbox"/>
Center Wavelength	Max Optical Power (CW)	Fiber Type	Pigtail Length	Pigtail Diameter	Connector
532nm	100mW	460-HP	0.5m	250μm Bare Fiber	None
630nm	300mW	630-HP	1.0m	900μm Loose Tube	LC/UPC
670nm	500mW	780-HP	1.5m	2.0mm	LC/APC
780nm		Hi1060	2.0m	3.0mm	SC/UPC
850nm		SMF-28e			SC/APC
980nm		SM1950			FC/UPC
1030nm					FC/APC
1064nm					ST/UPC
1310nm					ST/APC
1480nm					
1550nm					
1950nm					
2000nm					
2050nm					